

The cleanroom and food applications specialist

SR-6iA/C



ISO CLASS 5
rated for cleanroom operation



RATED IP54
featuring white epoxy coating



INTEGRATED SERVICES
I/O, 24VDC, solenoid valves
and air lines standard on board



STRONG ARM
6 kg max payload,
650 mm reach

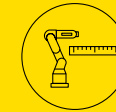
Next level accuracy for cleanroom applications

- Rated ISO Class 5 for cleanroom operation
- NSF-H1 food-grade grease and anti-rust bolts for food handling applications
- Equipped of a bellow to protect the spindle during cleaning operation
- Featuring a white epoxy coating and IP54 for protection against contamination from limited amounts of dust and other particles as well as water spray
- Highly suitable for tray food and cleanroom applications that require cleaning procedure
- Ultra-compact footprint and robot design minimise interference with peripheral devices
- Web based user interface (*iRProgrammer*) for intuitive and ease-of use programming via tablet or PC (no *iPendant Touch* required)
- Integrated services e.g. I/O, 24VDC, solenoid valves and air lines in the arm reduce costs and simplify integration
- Fast cycle time thanks to high speed motion

SR-6iA/C



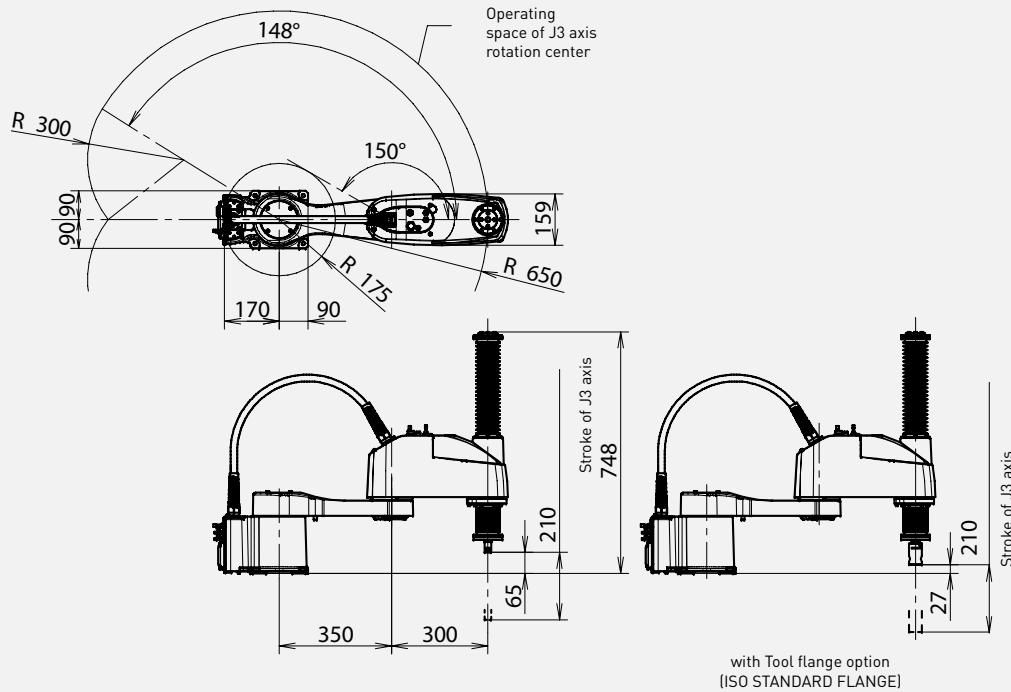
Max. load capacity
at wrist: **6 kg**



Max. reach:
650 mm

Controlled axes	Repeatability (mm)	Mechanical weight (kg)	Motion range (°)						Maximum speed (°/s)						J4 Inertia (kgm ²)	J5 Inertia (kgm ²)	J6 Inertia (kgm ²)
			J1	J2	J3	J4	J5	J6	J1	J2	J3	J4	J5	J6			
4	± 0.01 (J1, J2, J3) ± 0.004 (J4)	32	296	300	210mm	1440	-	-	440	700	2000 mm/sec	2500	-	-	0,12	-	-

Working range



Robot

	SR-6iA/C
Robot footprint [mm]	180 x 260 (394)
Mounting position Floor	•
Mounting position Ceiling	-
Mounting position Angle	-
Mounting position Wall	-

Controller

	R-30iB Plus
Compact Plus	•
Open air cabinet	-
Mate cabinet	-
A-cabinet	-
B-cabinet	-
iPendant Touch	-

Electrical connections

Voltage 50/60Hz 3phase [V]	-
Voltage 50/60Hz 1phase [V]	200-230
Average power consumption [kW]	0.35

Integrated services

Integrated signals on upper arm In/Out	4/4
Integrated air supply	2
Integrated solenoid valve	2

Environment

Acoustic noise level [dB]	<70
Ambient temperature [° C]	0-45

Protection

Body standard/optional	IP54
Wrist & J3 arm standard/optional	IP54
Cleanroom class (ISO Class 5)	•

Auxiliary

Max. push-down force (Newton)	200
-------------------------------	-----